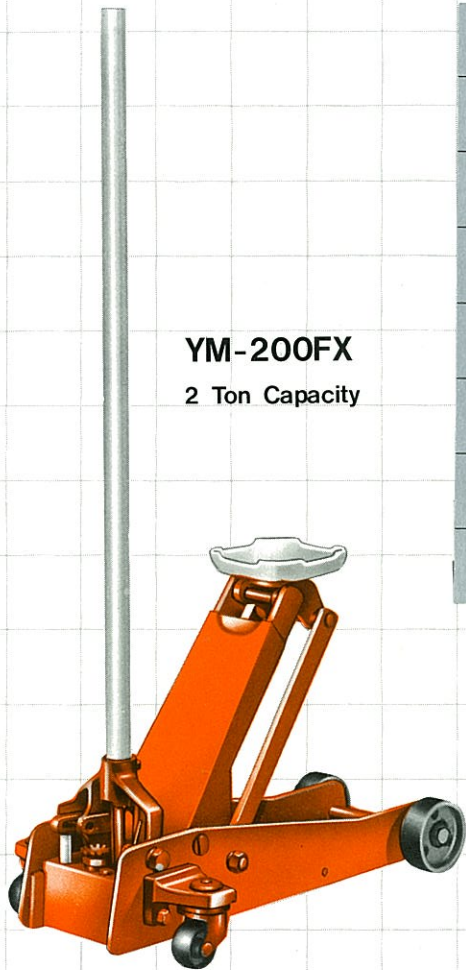


# HYDRAULIC FLOOR JACK



**YM-200FX**  
2 Ton Capacity

# YASUI

## Jacks and Service Equipment

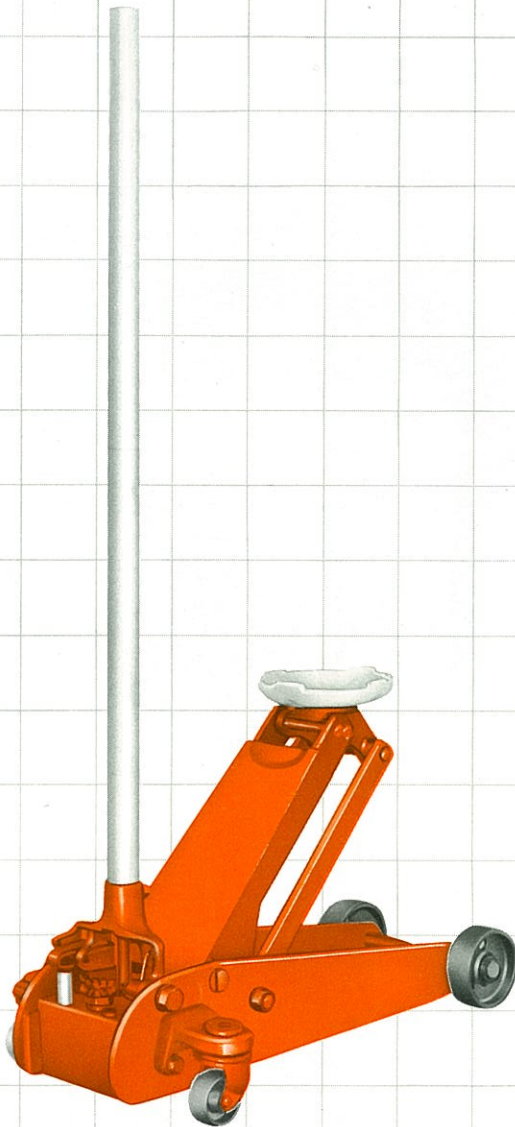
### SPECIFICATIONS

MODEL	Capacity (ton)	Hydraulic Lift (mm)	Min. Saddle Height (mm)	Max. Saddle Height (mm)	Overall Length (mm)	Overall Height With Handle (mm)	Overall Width (mm)	Max. Frame Height (mm)	Net Weight (kg)
YM-150HO	1.5	255	125	380	533	1,123	293	138	18.5
YM-200FX	2	360	130	490	660	1,210	370	150	41
YM-200MS	2	360	130	490	810	1,220	390	160	48.5

•The types and specifications may be changed with or without notice.

# HYDRAULIC FLOOR JACK & JACK STAND

**YJS-600**  
**HEAVY-DUTY JACK STAND**  
 6 Ton Capacity



**YM-150M**  
 for dependable service  
 shop use  
 1.5 Ton Capacity

## SPECIFICATIONS

MODEL	Capacity (ton)	Hydraulic Lift (mm)	Min. Saddle Height (mm)	Max. Saddle Height (mm)	Overall Length (mm)	Overall Height With Handle (mm)	Overall Width (mm)	Max. Frame Height (mm)	Net Weight (kg)
YM-150M	1.5	360	130	490	660	1,210	370	150	40

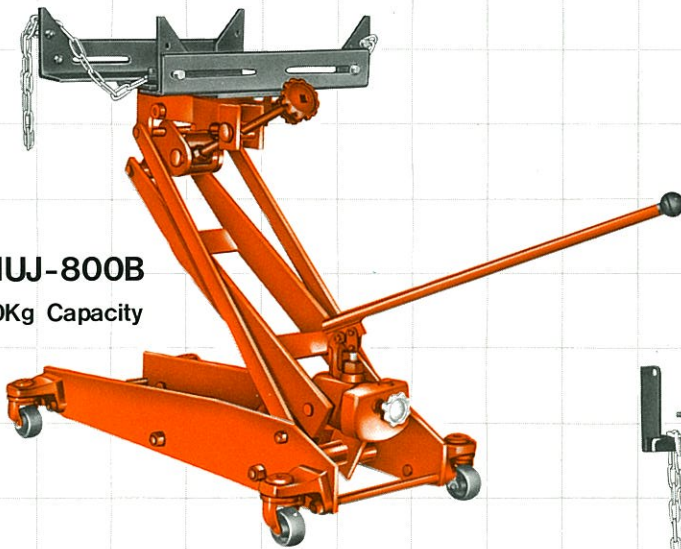
## SPECIFICATIONS

MODEL (PAIR)	Capacity (EACH) (ton)	Max. Height (mm)	Min. Height (mm)	Height Intervals (mm)	Base (mm)	Saddle Size (mm)	Net Weight (kg / Pair)
YJS-600	6	610	385	20.8	310 × 270	34 × 147	14

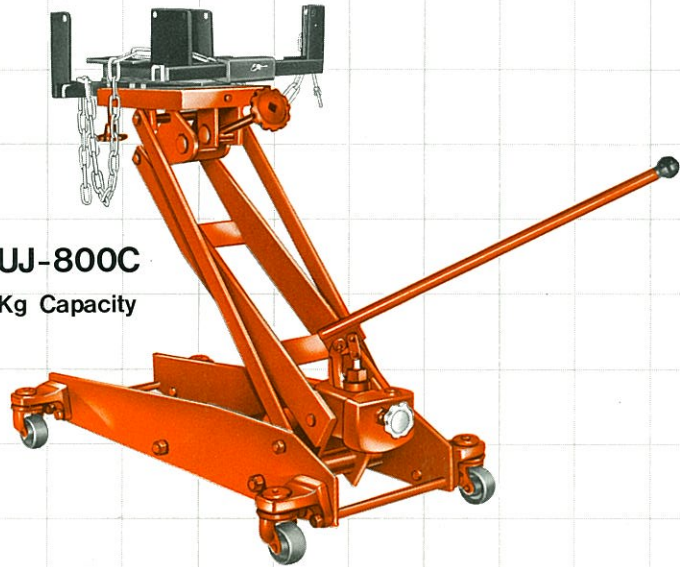
•The types and specifications may be changed with or without notice.

# TRANSMISSION JACK

**YHUJ-800B**  
800Kg Capacity



**YHUJ-800C**  
800Kg Capacity



**YHUJ-800CW**  
800Kg Capacity



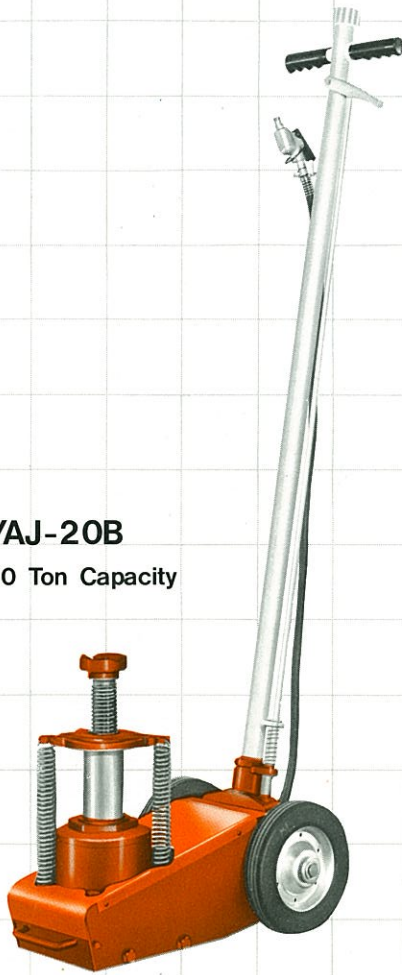
## SPECIFICATIONS

MODEL	Capacity (kg)	Hydraulic Lift (mm)	Min. Saddle Height (mm)	Max. Saddle Height (mm)	Overall Length (mm)	Overall Height (mm)	Overall Width (mm)	Saddle Tilt (degree)			Saddle Lateral Movement (mm)	Net Weight (kg)
								For- ward	Back- ward	Right And Left		
YHUJ-800B	800	610	195	805	1,210	330	435	60	10	—	30	78
YHUJ-800C	800	610	205	815	1,335	315	425	15	10	10	—	70
YHUJ-800CW	800	610	205	815	1,335	315	540	15	10	10	—	71

● The types and specifications may be changed with or without notice.

# AIR OVER HYDRAULIC JACK

**YAJ-20B**  
20 Ton Capacity



**YAJ-40B**  
40 Ton Capacity



## SPECIFICATIONS

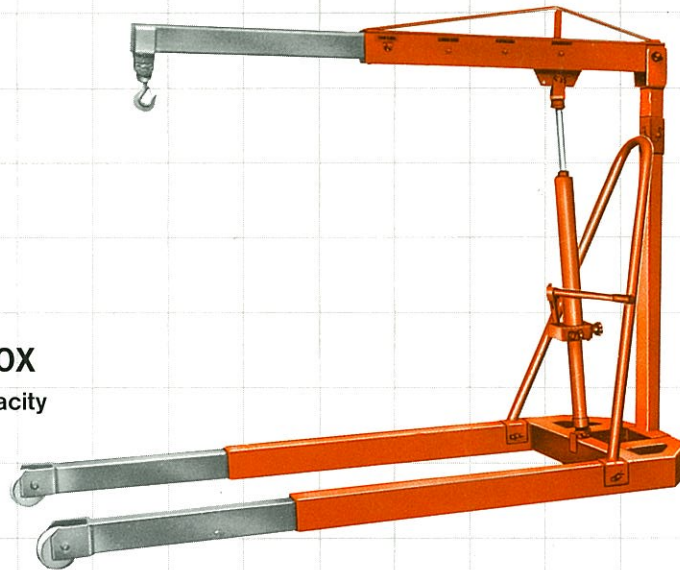
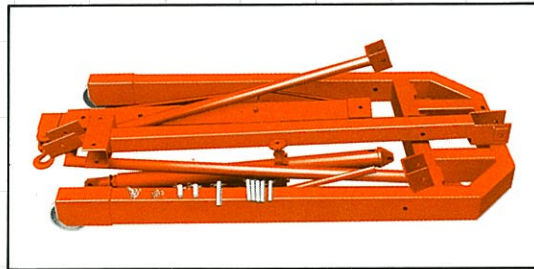
MODEL	Capacity (ton)	Aux. Screw Stroke (mm)	Piston Stroke (mm)	Min. Saddle Height (mm)	Max. Saddle Height (mm)	Overall Length (mm)	Overall Height With Handle (mm)	Overall Width (mm)	Lifting Time (at air pressure 10kg/cm <sup>2</sup> ) (sec.)	Air Pressure (kg/cm <sup>2</sup> )	Compressor Power (kw) (ps)	Net Weight (kg)
YAJ-20B	20	105	120	205	430	511	1,430	326	No-load 35 20ton load 120	6~10	2.2(3)	46
YAJ-40B	40	75	100	215	390	589	1,442	363	No-load 45 40ton load 200	6~10	3.7(5)	65

● The types and specifications may be changed with or without notice.

# HYDRAULIC AUTO CRANE



**YAC-200**  
2 Ton Capacity



**YAC-200X**  
2 Ton Capacity

## SPECIFICATIONS

MODEL	Capacity (kg)	Length Inside Legs (mm)	Dimensions (mm)	Type	Net Weight (kg)
YAC-200	2,000	1,300	910(W) 1,800(L) 1,800(H)	Collapsible Type	160

Boom Position & Length	Capacity (kg)	Min. to Max. Hook Height (mm)
No.1(1,400mm)	2,000	775 ~ 2,310
No.2(1,650mm)	1,000	645 ~ 2,460
No.3(1,900mm)	450	500 ~ 2,615
No.4(2,150mm)	225	370 ~ 2,765

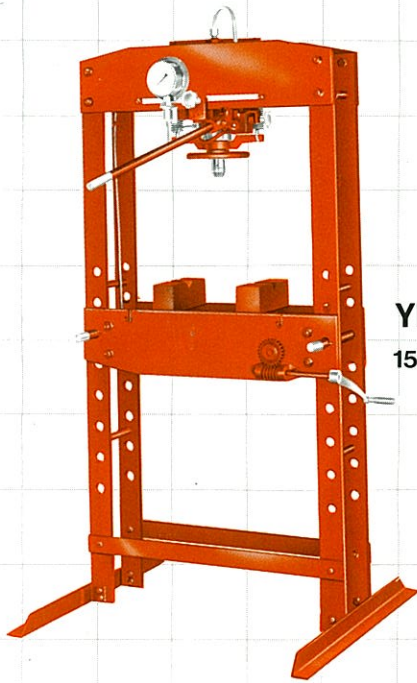
## SPECIFICATIONS

MODEL	Capacity (kg)	Type	Front Leg Extention (mm)	Overall Height (mm)	Base Width (mm)	Net Weight (kg)
YAC-200X	2,000	Collapsible Type	1,730 to 2,275	1,800	910	175

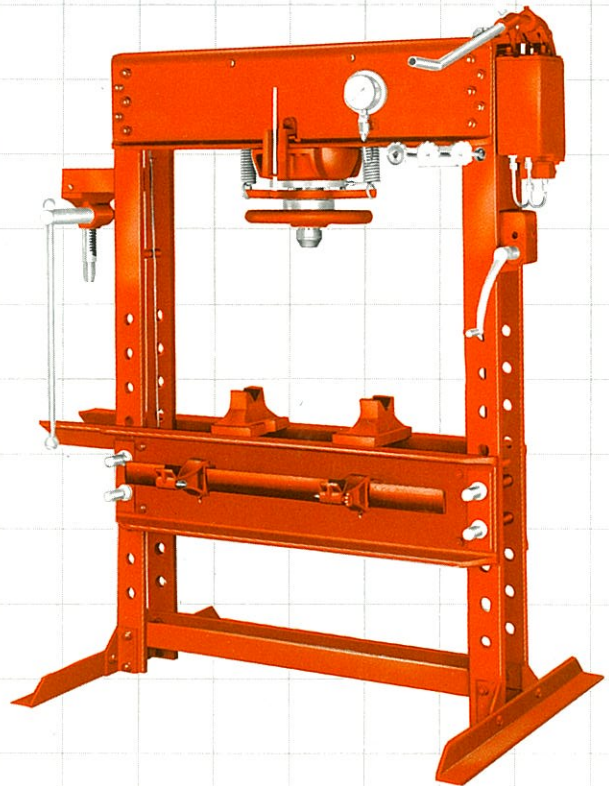
Boom Position & Length	Capacity (kg)	Min. to Max. Hook Height (mm)
No.1(1,400mm)	2,000	775 ~ 2,310
No.2(1,650mm)	1,000	645 ~ 2,460
No.3(1,900mm)	450	500 ~ 2,615
No.4(2,150mm)	225	370 ~ 2,765

●The types and specifications may be changed with or without notice.

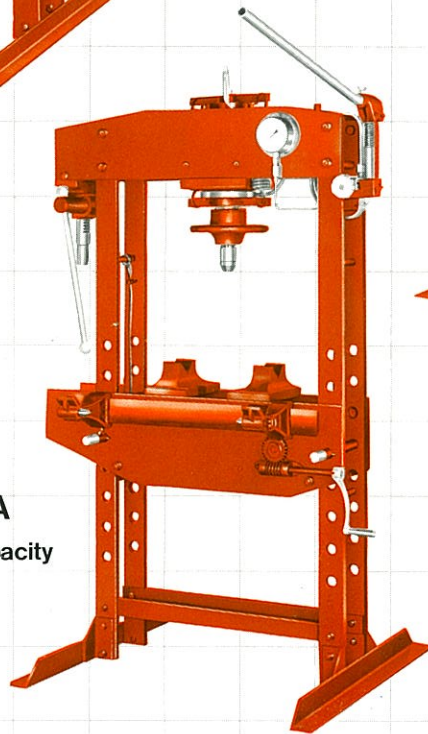
# HYDRAULIC PRESS



**YHP-30C**  
15 Ton Capacity



**YHP-100A**  
60 Ton Capacity



**YHP-50A**  
35 Ton Capacity

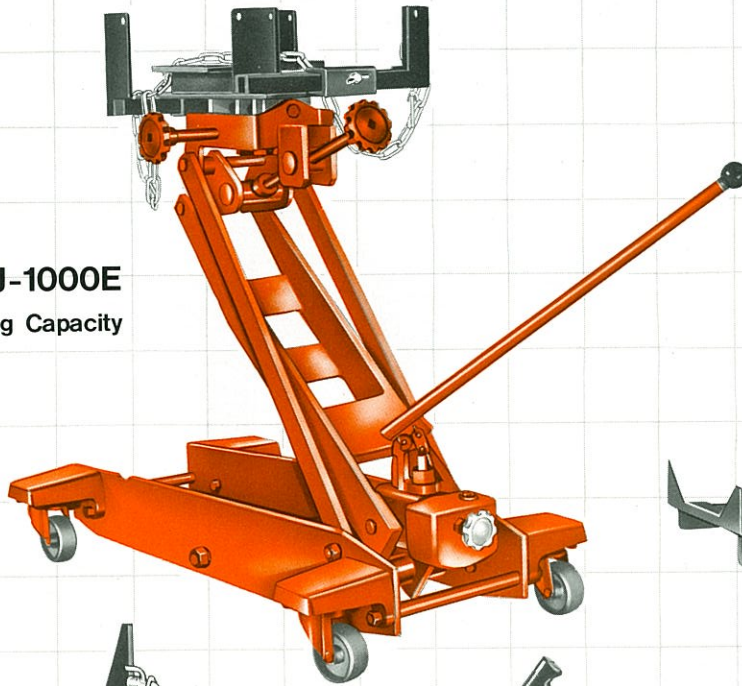
## SPECIFICATIONS

MODEL	Capacity (ton)	Aux. Screw Travel (mm)	Ram Travel (mm)	Aux. Press Capacity (kg)	In side Width of Parallel Braces (mm)	Work Area (W×L) (mm)	Work Frame Width (mm)	Work Table Travel (mm)	Overall Height (mm)	Net Weight (kg)
YHP-30C	15	120	140	—	675	800×925	185	630	1,730	220
YHP-50A	35	170	140	400	675	900×955	185	720	1,800	260
YHP-100A	60	200	140	500	1,130	1,100×1,480	205	750	1,980	800

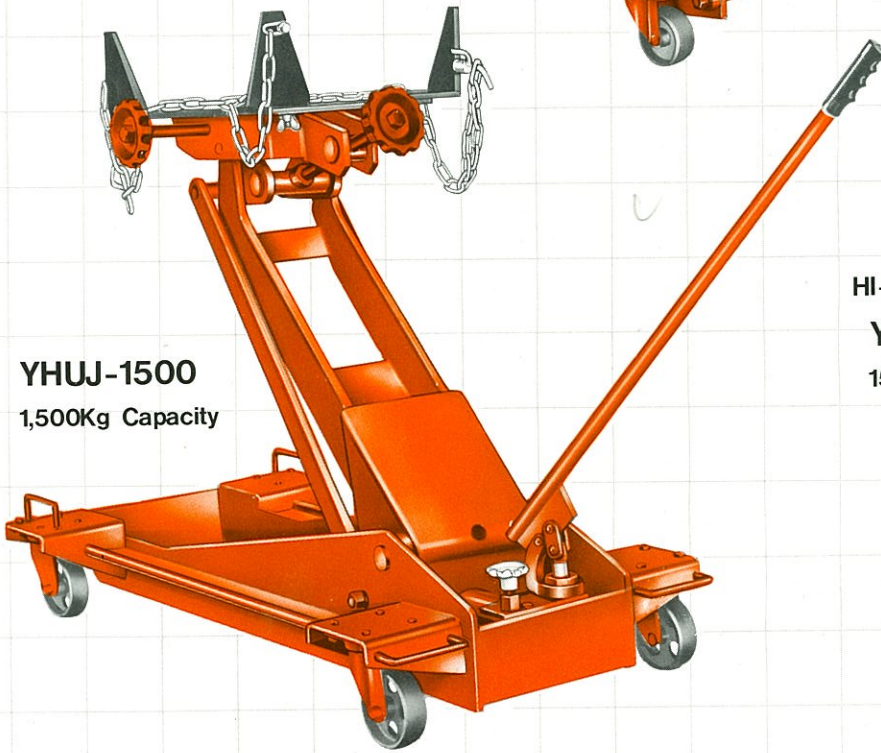
●The types and specifications may be changed with or without notice.

# TRANSMISSION JACK

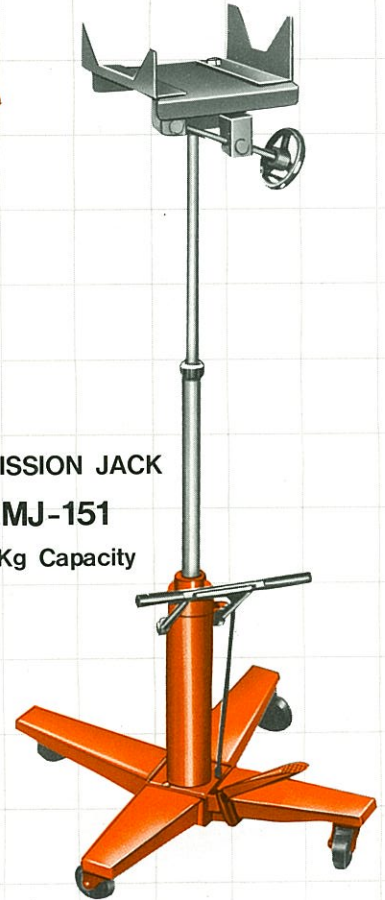
**YHUJ-1000E**  
1,000Kg Capacity



**YHUJ-1500**  
1,500Kg Capacity



**HI-MISSION JACK**  
**YHMJ-151**  
150Kg Capacity



## SPECIFICATIONS

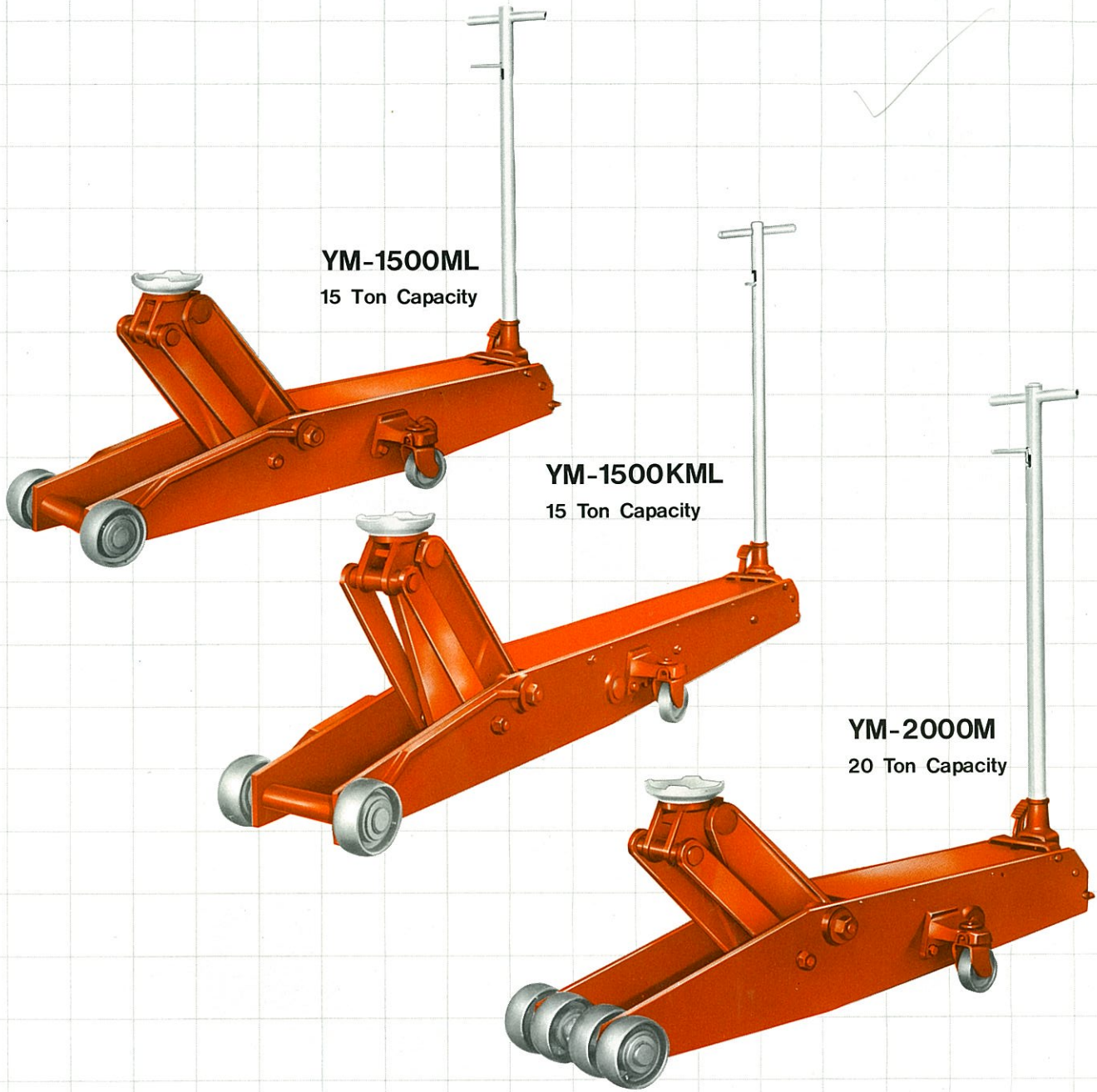
MODEL	Capacity (kg)	Hydraulic Lift (mm)	Min. Saddle Height (mm)	Max. Saddle Height (mm)	Overall Length (mm)	Overall Height (mm)	Overall Width (mm)	Saddle Tilt (degree)			Saddle Lateral Move- ment (mm)	Net Weight (kg)
								For- ward	Back- ward	Right And Left		
YHUJ-1000E	1,000	590	253	843	1,210	330	488	30	15	15	—	81
YHUJ-1500	1,500	710	160	870	1,817	260	558	30	15	—	Clockwise & Anticlock wise 40	135

## SPECIFICATIONS

MODEL	Capacity (kg)	Hydraulic Lift (mm)	Min. Saddle Height (mm)	Max. Saddle Height (mm)	Lift (At 1st Lift) (mm)	Lift (At 2nd Lift) (mm)	Total Width (mm)	Saddle Tilt (degree)	Net Weight (mm)	Applicable Car
YHMJ-151	150	995	790	1,785	485	510	905	15	Approx. 65	Compact car to Standard car

• The types and specifications may be changed with or without notice.

# HYDRAULIC FLOOR JACK



**YM-1500ML**  
15 Ton Capacity

**YM-1500KML**  
15 Ton Capacity

**YM-2000M**  
20 Ton Capacity

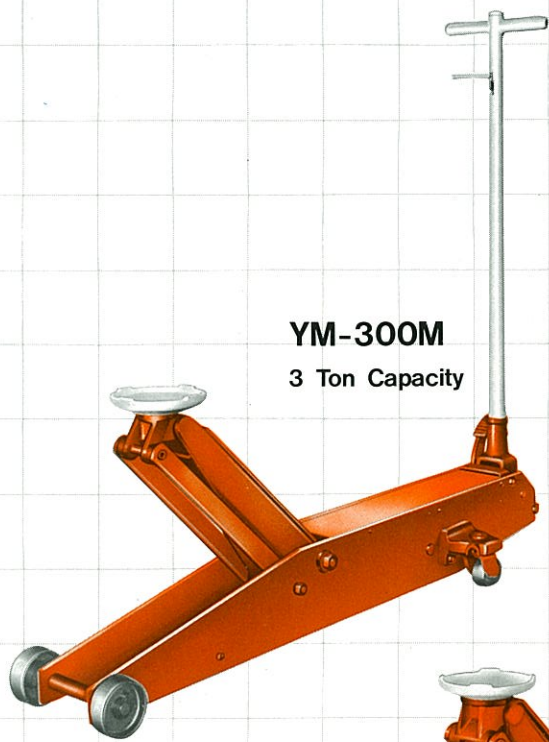
## SPECIFICATIONS

MODEL	Capacity (ton)	Hydraulic Lift (mm)	Min. Saddle Height (mm)	Max. Saddle Height (mm)	Overall Length (mm)	Overall Height With Handle (mm)	Overall Width (mm)	Max. Frame Height (mm)	Net Weight (kg)
YM-1500ML	15	475	175	650	1,745	1,270	496	230	220
YM-1500KML	15	475	175	650	2,470	1,270	496	230	275
YM-2000M	20	420	190	610	1,698	1,450	496	260	230

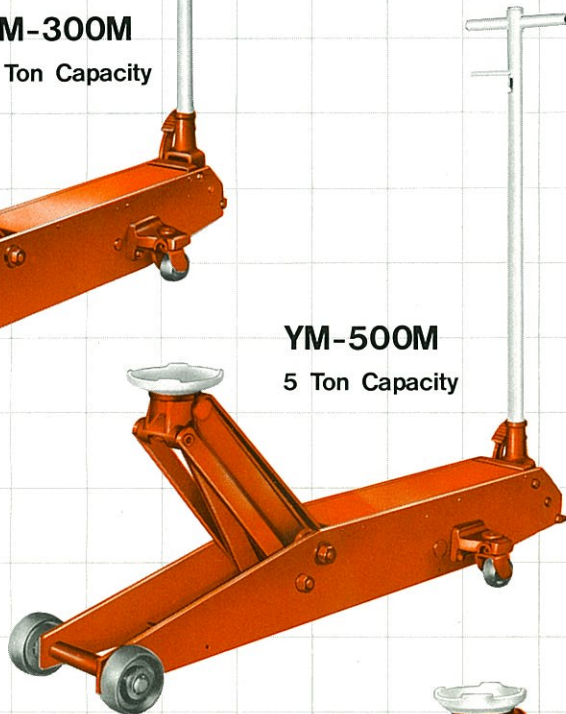
• The types and specifications may be changed with or without notice.



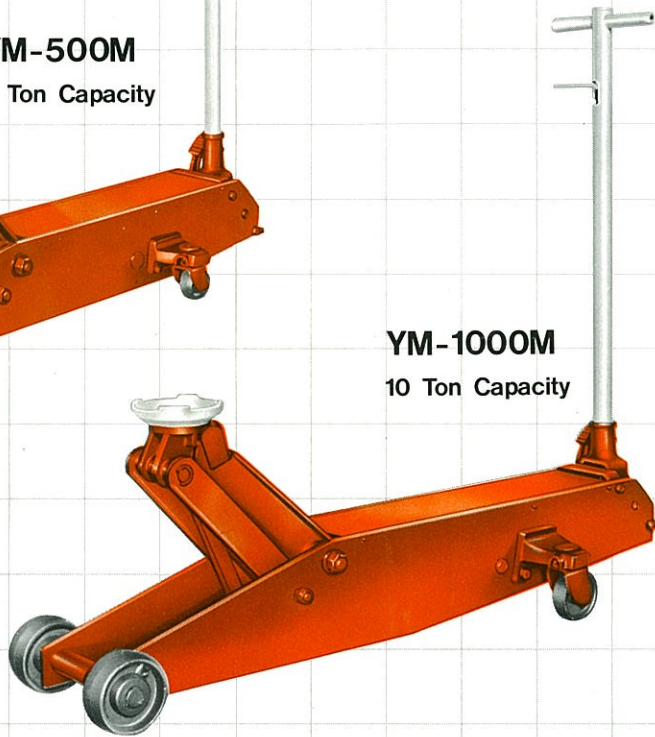
# HYDRAULIC FLOOR JACK



**YM-300M**  
3 Ton Capacity



**YM-500M**  
5 Ton Capacity



**YM-1000M**  
10 Ton Capacity

## SPECIFICATIONS

MODEL	Capacity (ton)	Hydraulic Lift (mm)	Min. Saddle Height (mm)	Max. Saddle Height (mm)	Overall Length (mm)	Overall Height With Handle (mm)	Overall Width (mm)	Max. Frame Height (mm)	Net Weight (kg)
YM-300M	3	480	130	610	1,435	1,230	345	190	75
YM-500M	5	410	150	560	1,420	1,215	375	200	110
YM-1000M	10	400	160	560	1,560	1,290	460	250	150

●The types and specifications may be changed with or without notice.